

# PHIL

THE AQUAMATIC BARTENDER

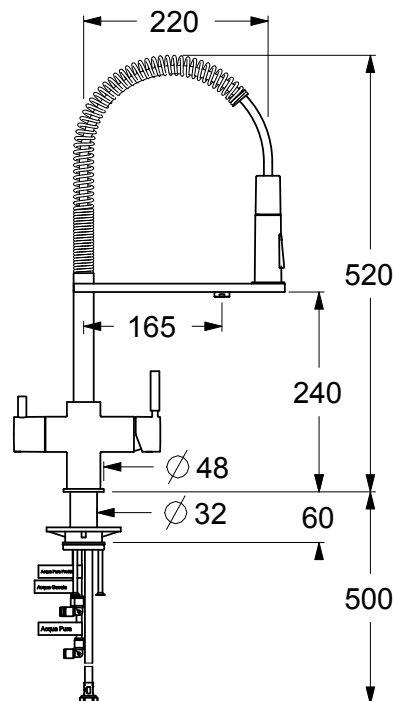


20  
l/h

R1234  
XY



## Industrial spring



### CERTIFICATION



D.M. 174



## STANDARD 10l/h COOLER

Cooling capacity *	10 l/h
Delta temperature *	10 °C
Max continuous supply	5 l
Pump	Membrane 24V DC
Cooling technology	Ermetic saturator 2,2 l
Condensation	Static
Refrigerant gas	R134a / R1234 xy **
Inlet Pressure	3 bars
Adjustable thermostat	Yes
Supply	220W 50-60hz
Compressor power	1/12 CC <sup>2</sup>
Absorbed power	145 W

Working room temperature	Min 5°C - Max 35°C
Inlet water pipe	8 mm
Inlet CO <sub>2</sub> pipe	6 mm
Dispensing area height	303 mm
Typology	Countertop / Undercounter
Drip tray	Stainless steel
Net weight	12 kg
Dimensions WxDxH May vary depending on models	190 x 339 x 422 mm
Dispensing options	Cold still water, cold sparkling water and room temperature water
Materials	Hot painted metal sheet

\*inlet water temp of 20°C; Delta is the difference temperature between inlet and outlet water

\*\* optional

## OPTIONAL 20l/h COOLER

Cooling capacity *	20 l/h
Delta temperature *	10° C
Max continuous supply	7 l
Pump	65w
Cooling technology	Hermetic saturator 5.5l
Condensation	Slow ventilation
Refrigerant gas	R1234 xy / R134a
Inlet Pressure	3 bars
Adjustable thermostat	Yes
Supply	220w 50-60 Hz
Compressor power	1/12 CC <sup>2</sup>
Absorbed power	145W

Working room temperature	Min 5°C - Max 35°C
Inlet water pipe	8 mm
Inlet CO <sub>2</sub> pipe	6 mm
Dispensing area height	303 mm
Typology	Countertop / Undercounter
Drip tray	Stainless steel
Net weight	16 kg
Dimensions WxDxH May vary depending on models	250 x 490 x 422 mm
Dispensing options	Cold still water, cold sparkling water and room temperature water
Materials	Hot painted metal sheet

\*inlet water temp of 20°C; Delta is the difference temperature between inlet and outlet water

<b>Dimensions (W x D x H) or (Dia x H)</b>
CO2 Cartridge (2kg, 1,3kg or 0,6kg)
Filter (0,2 micron)
Filter housing

Max 115 x 440 mm  
80 x 260 mm  
90 x 85 mm

<b>COLOURS</b>
Faucet
Cooler

See website  
White

<b>REQUIREMENTS</b>
Electric (Cooler)
Water
Undercounter room for <b>standard 10l</b> cooler & CO2 & filter (W x D x H)
Undercounter room for <b>optional 20l</b> cooler & CO2 & filter (W x D x H)
Advised natural ventilation
Holes to be provided (Dia)

1 x 230V / 16A  
1x Cold = combination angle valve 3/8" - 3/4"  
1x Warm = angle valve 3/8"  
Min 380 x 450 x 500 mm  
Min 420 x 550 x 500 mm  
200 cm<sup>2</sup>  
1x 35 mm